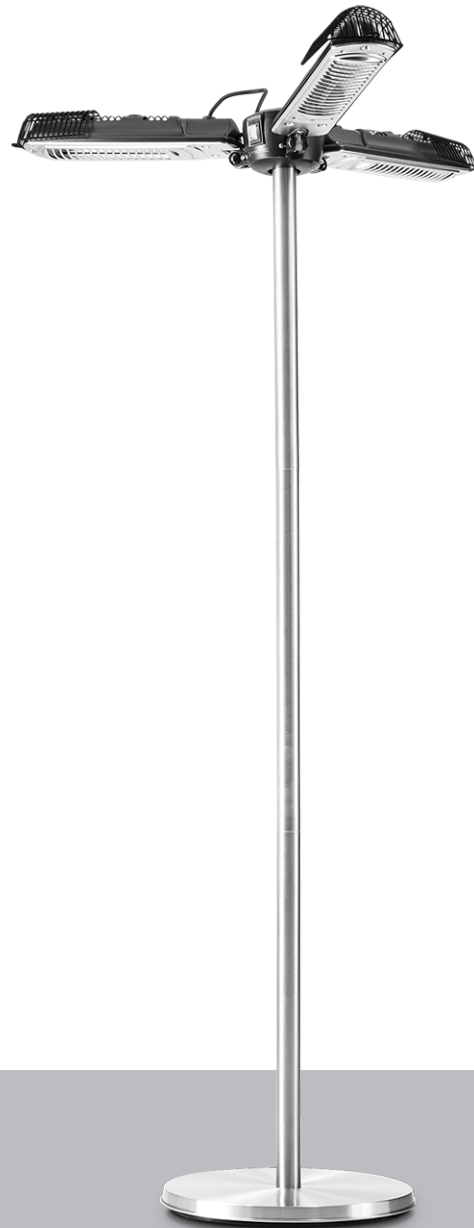


IR 2005 SC / IRS 2005



EN

INSTRUCTIONS
RADIANT HEATER

Table of contents

Information on the use of these instructions 2

Safety 2

Information about the device..... 5

Transport and storage..... 6

Assembly and start-up 6

Operation 10

Errors and faults..... 11

Maintenance 11

Technical annex..... 12

Disposal 12

You can download the current version of the instructions and the EU declaration of conformity via the following link:



IR 2005 SC



<https://hub.trotec.com/?id=45786>

IRS 2005



<https://hub.trotec.com/?id=45787>

Information on the use of these instructions

Symbols



Warning of electrical voltage

This symbol indicates dangers to the life and health of persons due to electrical voltage.



Warning of hot surface

This symbol indicates dangers to the life and health of persons due to hot surface.



Warning

This signal word indicates a hazard with an average risk level which, if not avoided, can result in serious injury or death.



Caution

This signal word indicates a hazard with a low risk level which, if not avoided, can result in minor or moderate injury.

Notice

This signal word indicates important information (e.g. material damage), but does not indicate hazards.



Info

Information marked with this symbol helps you to carry out your tasks quickly and safely.



Follow the manual

Information marked with this symbol indicates that the instructions must be observed.

Safety

Read this manual carefully before starting or using the device. Always store the manual in the immediate vicinity of the device or its site of use.



Warning

Read all safety warnings and all instructions.

Failure to follow the warnings and instructions may result in electric shock, fire and/or serious injury.

Save all warnings and instructions for future reference.

This appliance can be used by children aged from 8 years and above and persons with reduced physical, sensory or mental capabilities or lack of experience and knowledge if they have been given supervision or instruction concerning use of the appliance in a safe way and understand the hazards involved.

Children shall not play with the appliance. Cleaning and user maintenance shall not be done by children without supervision.



Warning

Children of less than 3 years should be kept away from the device unless continuously supervised.

Children aged from 3 years and less than 8 years shall only switch on/off the appliance provided that it has been placed or installed in its intended normal operating position and they have been given supervision or instruction concerning use of the appliance in a safe way and understand the hazards involved.

Children aged from 3 years and less than 8 years shall not plug in, regulate and clean the appliance or perform user maintenance.

- Do not use the device in potentially explosive rooms or areas and do not install it there.
- Do not use the device in an aggressive atmosphere.
- Let the device dry out after a wet clean. Do not operate it when wet.
- Do not use the device with wet or damp hands.
- Do not expose the device to directly squirting water.
- Never insert any objects or limbs into the device.
- Do not use the device as source of ignition.
- Do not cover the device during operation.
- This appliance is not a toy. Keep away from children and animals.
- Check accessories and connection parts for possible damage prior to every use of the device. Do not use any defective devices or device parts.
- Ensure that all electric cables outside of the device are protected from damage (e.g. caused by animals). Never use the device if electric cables or the power connection are damaged!
- The mains connection must correspond to the specifications in the Technical annex.
- Insert the mains plug into a properly fused mains socket.
- Observe the device's power input, cable length and intended use when selecting extensions to the power cable. Completely unroll extension cables. Avoid electrical overload.
- Before carrying out maintenance, care or repair work on the device, remove the mains plug from the mains socket. Hold onto the mains plug while doing so.
- Switch the device off and disconnect the power cable from the mains socket when the device is not in use.
- Do not under any circumstances use the device if you detect damages on the mains plug or power cable. If the power cable is damaged, it must be replaced by the manufacturer, its service agent or similarly qualified persons in order to avoid a hazard. Defective power cables pose a serious health risk!
- When installing the device, observe the minimum distances from walls and other objects as well as the storage and operating conditions according to the technical data (chapter Technical annex).
- Keep a safety distance of at least 1 m between the device's radiator side and all combustible materials such as textiles, curtains, beds and sofas.
- Allow the device to cool down before transport and/or maintenance work.
- Do not use the device if it has been dropped or if it shows visible signs of damage.

Intended use

Use the device for heating surfaces in roofed outdoor areas and protected from weather exposure.

Intended use comprises:

- heating surfaces
 - in storage facilities,
 - in construction areas,
 - in containers,
 - in the catering trade,
 - at trade fairs and events,
 - in roofed outdoor areas (e.g. covered terraces).

Any use other than the intended use is regarded as misuse.

Reasonably foreseeable misuse

- The device is not intended for industrial use.
- Do not place any objects, e.g. clothing, on the device.
- Do not use the device for heating in vehicles.
- Do not use this device in the vicinity of fuel, solvents, varnishes or other easily inflammable vapours or in rooms where these substances are stored.
- The device may not be used as a heating device for babies / children or animals.
- Never immerse the device in water.
- The device must not be used near swimming pools.
- Do not make any unauthorised modifications, alterations or structural changes to the device.

Personnel qualification

People who use this device must:

- be aware of the dangers that occur when working with electric devices in damp areas.
- have read and understood the instructions, especially the Safety chapter.

Maintenance tasks which require the housing to be opened must only be carried out by specialist electrical companies or by the manufacturer.

Safety signs and labels on the device

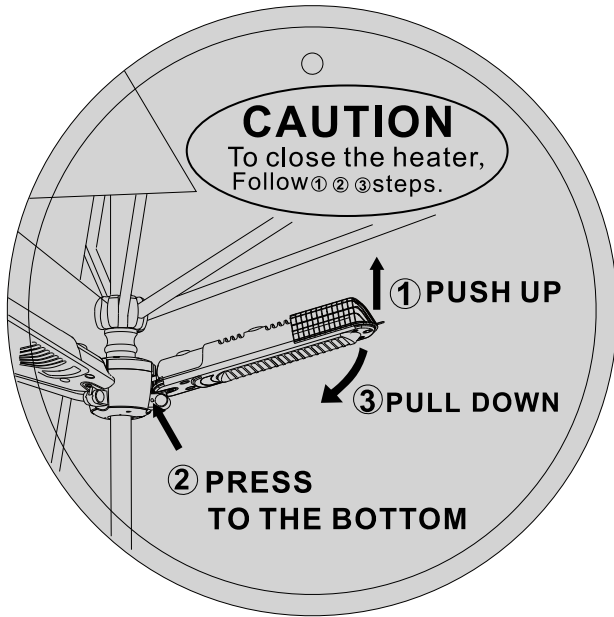
Notice

Do not remove any safety signs, stickers or labels from the device. Keep all safety signs, stickers and labels in legible condition.

The following safety signs and labels are attached to the device:

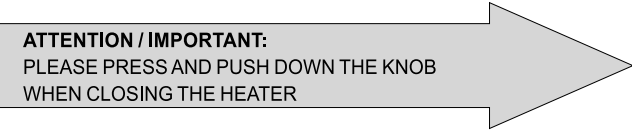
Symbols	Meaning
	This symbol located on the device indicates that it is prohibited to place objects (such as towels, clothes etc.) above or directly in front of the device. In order to avoid overheating and fire hazards, the heater must not be covered.

The following label is attached to the device in English. A detailed description of how to extend and retract the heating blades can be found in the "Assembly and start-up" chapter.



Caution
To close the radiant heater, follow steps 1, 2 and 3.
1. Push up
2. Pull down
3. Press to the bottom

The following label is attached to the device in English.



Attention / important:
Please press and push down the knob when closing the heater.

The following label is attached to the device in English.



Hot! Do not touch!

Residual risks

- Warning of electrical voltage**
Work on the electrical components must only be carried out by an authorised specialist company!
- Warning of electrical voltage**
Before any work on the device, remove the mains plug from the mains socket!
Do not touch the mains plug with wet or damp hands. Hold onto the mains plug while pulling the power cable out of the mains socket.
- Warning of hot surface**
Parts of this appliance can become very hot and cause burns. Particular attention is to be paid when there are children or vulnerable persons present!
- Warning**
Dangers can occur at the device when it is used by untrained people in an unprofessional or improper way! Observe the personnel qualifications!
- Warning**
The device is not a toy and does not belong in the hands of children.
- Warning**
Risk of suffocation!
Do not leave the packaging lying around. Children may use it as a dangerous toy.
- Warning**
Improper installation entails a risk of fire.
Do not place the device on combustible ground.
Do not place the device on high-pile carpets.
- Warning**
Risk of injury due to infrared radiation!
Do not stay in the device's immediate vicinity for too long. Do not look directly into the device for too long. Observe the minimum distances.
- Warning**
In order to avoid overheating and fire hazards, the device must not be covered!



Warning

Coarse dirt particles on the heating rods can cause the device to overheat. Fire hazard!
Remove coarse dirt particles from the heating rods according to the Maintenance chapter before switching on the device.

Behaviour in the event of an emergency

1. Switch the device off.
2. Disconnect the device from the mains: Hold onto the mains plug while pulling the power cable out of the mains socket.
3. Do not reconnect a defective device to the mains.

Tilt protection

The device comes equipped with a tilt protection. The tilt protection is a safety device intended to minimize the risk of fire in case the device is tipped over inadvertently. The device will be switched off when knocked over (or if its upright position is changed in any other manner).

Information about the device

Device description

The devices IR 2005 SC and IRS 2005 are used to quickly generate instant heat.

The device IR 2005 SC is a parasol heater. The device IRS 2005 is installed on the floor.

The devices are based on the functional principle of heat generation by infrared radiation. The infrared radiation is generated by a halogen heating element and emitted to the surrounding surfaces as heat radiation. Persons or objects are heated directly.

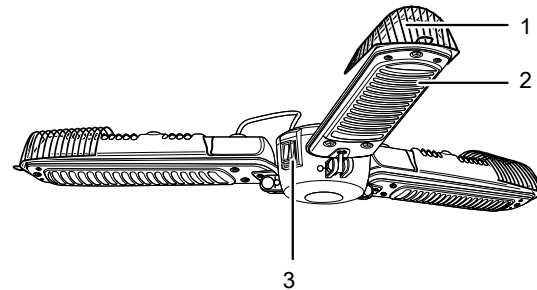
The devices are splash-proof (IP34).

The devices IR 2005 SC and IRS 2005 are provided with:

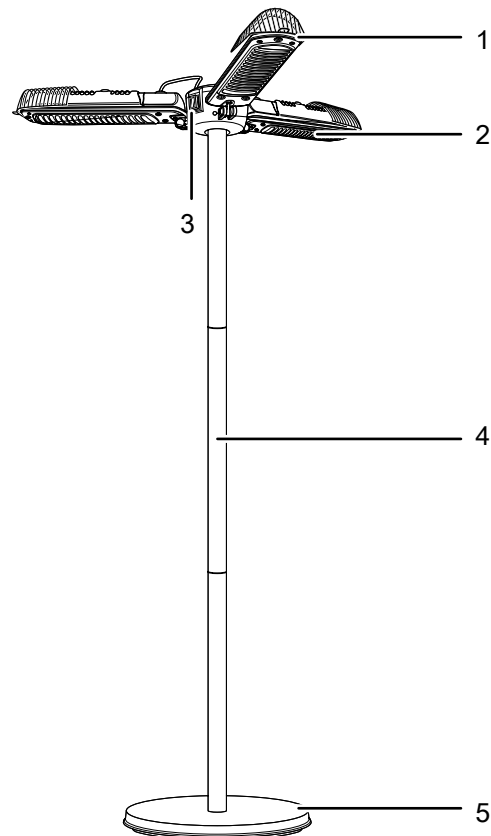
- 3 heating levels
- approx. 5,000 operating hours
- silent operation
- no dust circulation (suitable for allergy sufferers)
- a splash-proof housing (IP34)
- tilt protection
- switch-on protection

Device depiction

IR 2005 SC



IRS 2005



No.	Designation
1	Protective grid
2	Heating rod
3	On/off switch
4	Telescopic rod
5	Foot

Transport and storage

Notice

If you store or transport the device improperly, the device may be damaged.

Note the information regarding transport and storage of the device.

Transport

Before transporting the device, observe the following:

- Switch the device off.
- Hold onto the mains plug while pulling the power cable out of the mains socket.
- Do not use the power cable to drag the device.
- Allow the device to cool down sufficiently.

Storage

Before storing the device, proceed as follows:

- Hold onto the mains plug while pulling the power cable out of the mains socket.
- Allow the device to cool down sufficiently.

When the device is not being used, observe the following storage conditions:

- Store the device in a dry location and protected from frost and heat.
- Store the device in an upright position where it is protected from dust and direct sunlight.
- If required, use a cover to protect the device from invasive dust.
- Place no further devices or objects on top of the device to prevent it from being damaged.

Assembly and start-up

Scope of delivery

IR 2005 SC

- 1 x Device
- 1 x Manual

IRS 2005

- 1 x Device
- 1 x Telescopic rod
- 1 x Foot
- 1 x Manual

Unpacking the device

1. Open the cardboard box and take the device out.
2. Completely remove the packaging.
3. Fully unwind the power cable. Make sure that the power cable is not damaged and that you do not damage it during unwinding.

Assembly



Warning

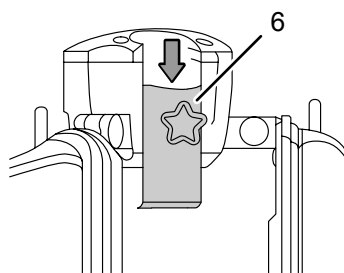
Risk of fire due to improper installation!

There is a risk of fire if the required minimum distances are not observed.

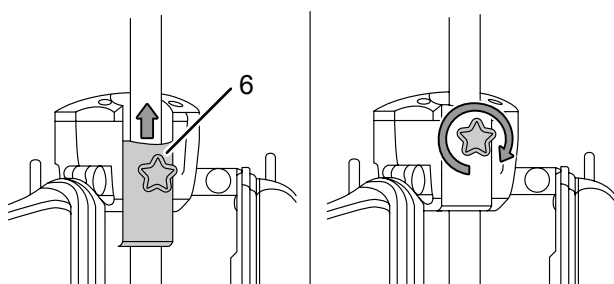
The device must be positioned at a distance of at least 180 cm from the floor and at least 50 cm from walls and other objects such as curtains or sockets.

Assembly of the IR 2005 SC

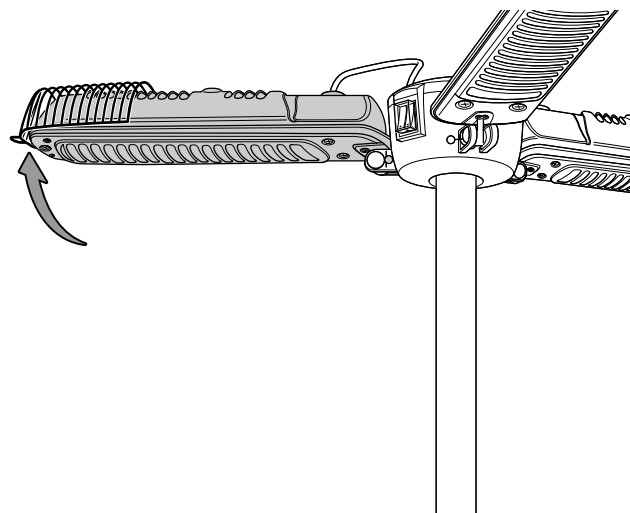
1. If required, slide the mounting bracket (6) out of the recess between the heating blades of the radiant heater.



2. Fasten the radiant heater to an umbrella stand or a suitable telescopic rod (\varnothing 2.5 cm - 6 cm).
 - ⇒ The three heating blades point downwards.
 - ⇒ Hold on to the radiant heater, as otherwise it will slip. If necessary, seek assistance from a second person.
3. Insert the mounting bracket (6) back into the recess between the heating blades of the radiant heater again and fasten the radiant heater by turning the star screw in clockwise direction.



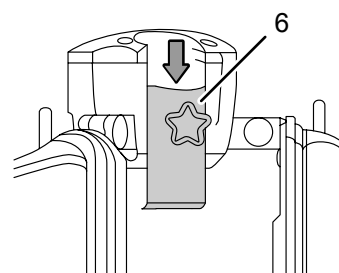
4. Fold the heating blades into a horizontal position until they engage with a click.



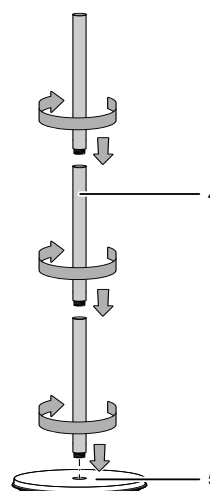
5. Check the foot (5) and the radiant heaters for tight fit.
6. Set the device up in an upright and stable position.

Assembly of the IRS 2005

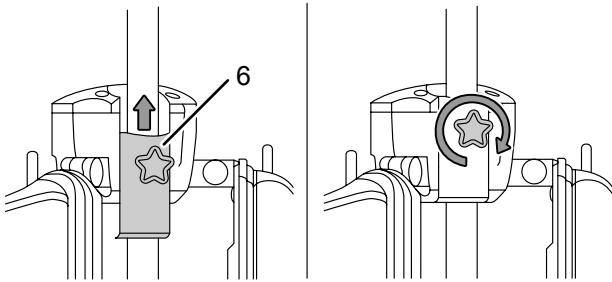
1. If required, slide the mounting bracket (6) out of the recess between the heating blades of the radiant heater.



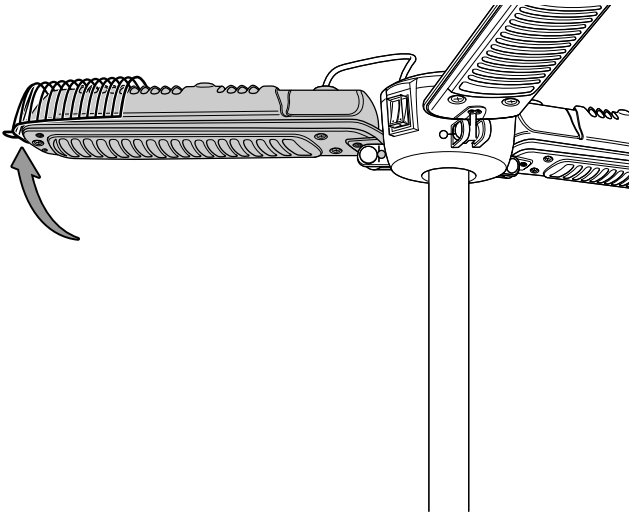
2. Set the foot (5) up in an upright position.
3. Connect the three component parts of the telescopic rod (4) with the foot (5) as shown by tightening them.



4. Fit the radiant heater on the telescopic rod.
 - ⇒ The three heating blades point downwards.
 - ⇒ Hold on to the radiant heater, as otherwise it will slip. If necessary, seek assistance from a second person.
5. Insert the mounting bracket (6) back into the recess between the heating blades of the radiant heater again and fasten the radiant heater by turning the star screw in clockwise direction.



6. Fold the heating blades into a horizontal position until they engage with a click.



7. Check the foot (5) and the radiant heaters for tight fit.
8. Set the device up in an upright and stable position.

Retracting the heating blades of the IR 2005 SC and IRS 2005



Warning of hot surface

The protective grid (1) heats up during operation and can still be hot after switch-off.

Do not touch the protective grid (1) during operation, wait until it has cooled down after switch-off.



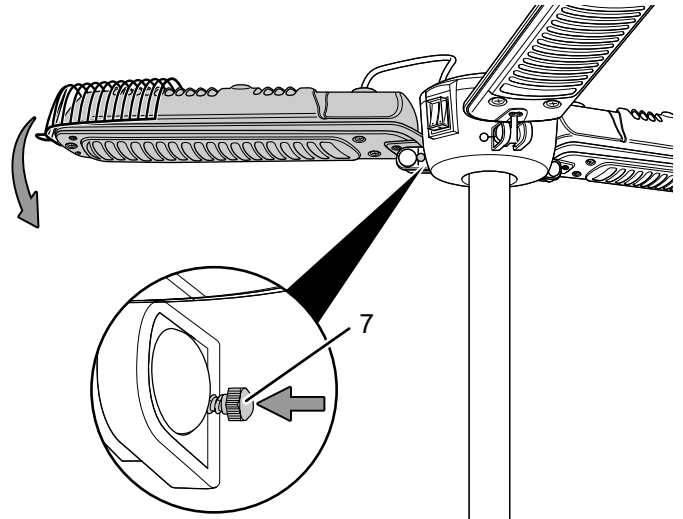
Warning of hot surface

The heating blades can get very hot and cause burns or damage on the device.

Allow the device to cool down before retracting it.

Please proceed as follows to retract the heating blades:

1. Press the outside edge of a heating blade slightly upwards with one hand while compressing the spring bolt (7) on the inside of the blade with the other hand.
2. The heating blade disengages from the catch.
3. Fold the heating blades downwards.



4. Repeat the retraction process on the other heating blades.

Installation

When installing the device, observe the minimum distances from walls and other objects as described in the Technical data chapter.

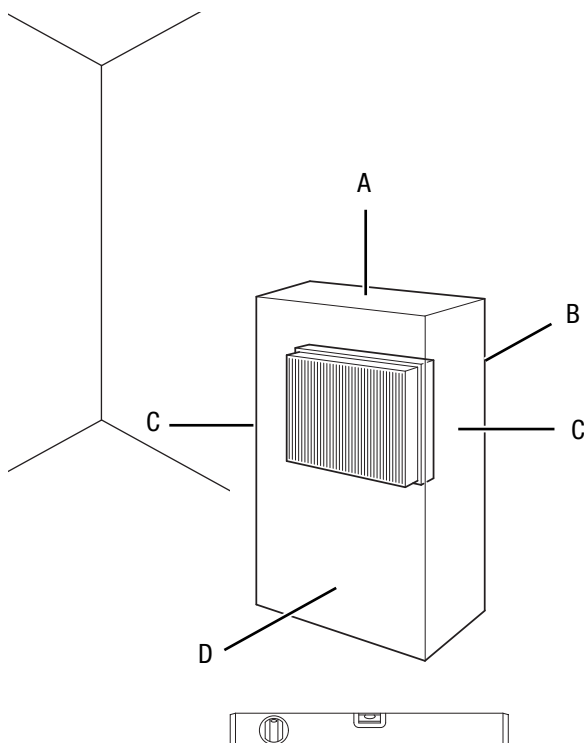


Warning

Risk of fire due to improper installation!

There is a risk of fire if the required minimum distances are not observed.

The device must be positioned at a distance of at least 180 cm from the floor and at least 50 cm from walls and other objects such as curtains or sockets.



Start-up



Info

Odours might arise upon initial start-up or after a longer period of non-use.

- Before starting the device, check the condition of the power cable. If there are doubts as to their sound condition, contact the customer service.
- Do not create tripping hazards when laying the power cable or other electric cables, especially when positioning the device in the middle of the room. Use cable bridges.
- Make sure that extension cables are completely unrolled.
- Make sure that there are no curtains or similar objects in the immediate vicinity.

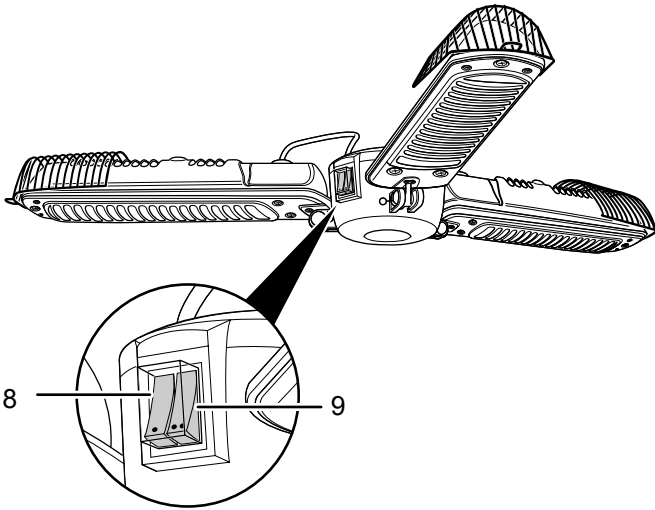
Connecting the power cable

- Insert the mains plug into a properly fused mains socket.
- Make sure that the power cable is guided along the back of the device. Never guide the power cable along the front of the device!

- Do not install the device directly behind a door.
- Never install the device in a way that it radiates directly onto walls or other objects. Observe the minimum distances from walls or other objects according to the Technical data chapter.
- Set the device up in an upright and stable position.
- Do not position the device directly below a wall socket.
- Make sure that the device cannot come into contact with moisture or water.

Operation

Operating elements



No.	Designation
8	Flip switch for heating level 700 W (with flip switch 9 altogether = 2000 W) 0 : OFF I : ON
9	Flip switch for heating level 1300 W (with flip switch 8 altogether = 2000 W) 0 : OFF II : ON

Warning
 Fire hazard due to incorrect start-up!
 There is a fire hazard if the radiant heaters are not extended properly.
 Always mount the radiant heaters before the start-up as specified in the “Assembly and start-up” chapter.

Warning of hot surface
 The protective grid (1) heats up during operation and can still be hot after switch-off.
 Do not touch the protective grid (1) during operation, wait until it has cooled down after switch-off.

Warning of hot surface
 The heating blades can get very hot and cause burns or damage on the device.
 Allow the device to cool down before retracting it.

Switching the device on

Once you have completely installed the device as described in the chapter Assembly and start-up, you can switch it on.

Notice

The device can only be switched on if the heating blades have been extended as specified in the “Assembly and start-up” chapter.

1. Plug the device into a sufficiently fused socket.
2. Set the flip switch for heating level 700 W (8) to position **I** or the flip switch for heating level 1300 W (9) to position **II**.
 ⇨ You can actuate one flip switch for a capacity of 700 W (8) or 1300 W (9), or both flip switches for the maximum capacity of 2000 W.

Shutdown



Warning of electrical voltage

Do not touch the mains plug with wet or damp hands.

- Switch off the device by setting the heating level flip switch (8) and the heating level flip switch (9) to the **0** position.
- Allow the device to cool down completely.
- Hold onto the mains plug while pulling the power cable out of the mains socket.
- Clean the device according to the Maintenance chapter.
- Store the device according to the Transport and storage chapter.

Errors and faults



Warning of electrical voltage

Tasks which require the device to be opened must only be carried out by authorised specialist companies or by the manufacturer.

Notice

Wait for at least 3 minutes after maintenance and repair work. Only then switch the device back on.

The device has been checked for proper functioning several times during production. If malfunctions occur nonetheless, check the device according to the following list.

The device does not start:

- Check the power connection.
- Check the power cable and mains plug for damage. If you notice damages, do not try to take the device back into operation.
If the supply cord is damaged, it must be replaced by the manufacturer, its service agent or similarly qualified persons in order to avoid a hazard.
- Check the on-site fusing.
- If the device is not starting, have the electricians checked by a specialist company or by the manufacturer.

The device does not emit heat:

- The heating element may be defective. If the heating element is defective, have it replaced by a specialist electrical company.
- Check the flip switch for heating level 700 W (8) and the flip switch for heating level 1300 W (9). If none of the switches is set to position **I** or **II**, the device is switched off. Switch the device on by setting at least one switch to position **I** or **II**.

RCD or another fuse trips:

- Check the fuse. Switch off any other devices to reduce the load on the line.

The device slightly vibrates during switch-on and then stops vibrating:

- Slight vibrations during switch-on are a normal process. No measures are required.

The device still does not operate correctly after these checks:

Please contact the customer service. If necessary, bring the device to an authorised specialist electrical company or to the manufacturer for repair.

Maintenance

Activities required before starting maintenance



Warning of electrical voltage

Do not touch the mains plug with wet or damp hands.

- Switch the device off.
- Hold onto the mains plug while pulling the power cable out of the mains socket.
- Allow the device to cool down completely.



Warning of electrical voltage

Tasks which require the device to be opened must only be carried out by authorised specialist companies or by the manufacturer.

Cleaning the device



Warning of electrical voltage

Never immerse the device in water!



Warning of hot surface

Do not touch the reflector or the heating rods with bare hands.

Clean the device with a soft, damp and lint-free cloth. Ensure that no moisture enters the housing. Protect electrical components from moisture. Do not use any aggressive cleaning agents such as cleaning sprays, solvents, alcohol-based or abrasive cleaners to dampen the cloth.

Wipe the housing dry after cleaning.

Dirt on the heating rods should be removed with a long brush with soft bristles.

Technical annex

Technical data

Parameter	Value	
Model	IR 2005 SC	IRS 2005
Power	level 1: 700 W level 2: 1300 W level 3: 2000 W	700 W 1300 W 2000 W
Power supply	220 – 240 V / 50–60 Hz	220 – 240 V / 50–60 Hz
Plug type	CEE 7/7	CEE 7/7
Cable length	1.8 m	1.8 m
Type of protection	IP34	IP34
Dimensions (depth x width x height)	900 x 900 x 100 mm	900 x 900 x 2100 mm
Minimum distance to walls and other objects:	top (A): 30 cm bottom (B): 180 cm sides (C): 100 cm front (D): 100 cm	30 cm 180 cm 100 cm 100 cm
Weight	3.6 kg	14 kg

Disposal

Always dispose of packing materials in an environmentally friendly manner and in accordance with the applicable local disposal regulations.



The icon with the crossed-out waste bin on waste electrical or electronic equipment is taken from Directive 2012/19/EU. It states that this device must not be disposed of with the household waste at the end of its life. You will find collection points for free return of waste electrical and electronic equipment in your vicinity. The addresses can be obtained from your municipality or local administration. You can also find out about other return options that apply for many EU countries on the website <https://hub.trotec.com/?id=45090>. Otherwise, please contact an official recycling centre for electronic and electrical equipment authorised for your country.

The separate collection of waste electrical and electronic equipment aims to enable the re-use, recycling and other forms of recovery of waste equipment as well as to prevent negative effects for the environment and human health caused by the disposal of hazardous substances potentially contained in the equipment.

Only for United Kingdom

According to Waste Electrical and Electronic Equipment Regulations 2013 (SI 2013/3113) (as amended) devices that are no longer usable must be collected separately and disposed of in an environmentally friendly manner.

Trotec GmbH

Grebener Str. 7
D-52525 Heinsberg

☎ +49 2452 962-400

☎ +49 2452 962-200

✉ info@trotec.com

www.trotec.com